



IBISC-SK

Infinite Series Small Built-In Cabinet With Sink

The Infinite Series built-in cabinet with sink is perfect for hand, produce and/or cutlery washing.



Lifetime Warranty*

We offer a lifetime warranty on the stainless body, and a 1 year parts and service warranty.



Built-In Component

Engineered to easily integrate within your cabinetry.

FEATURES

- Constructed of 304 stainless steel
- Has a paper towel holder and a storage cabinet below

SPECIFICATIONS

OVERALL MEASUREMENTS 21.562" W x 34.687" H x 26.509" D

CUTOUT MEASUREMENTS 19.125" W x 33" H x 24.75" D

COMPONENT VARIATIONS



IBISC-SK
Small Built-In Cabinet with Sink



IBISC-SK-1D
Small Built-In Cabinet with Sink & Single Drawer



IBISC-SK-2D
Small Built-In Cabinet with Sink & Two Drawers



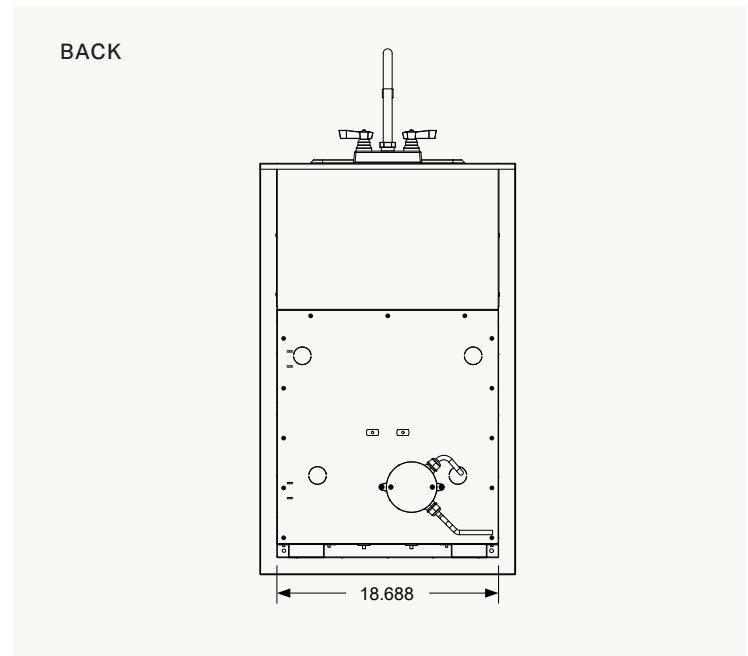
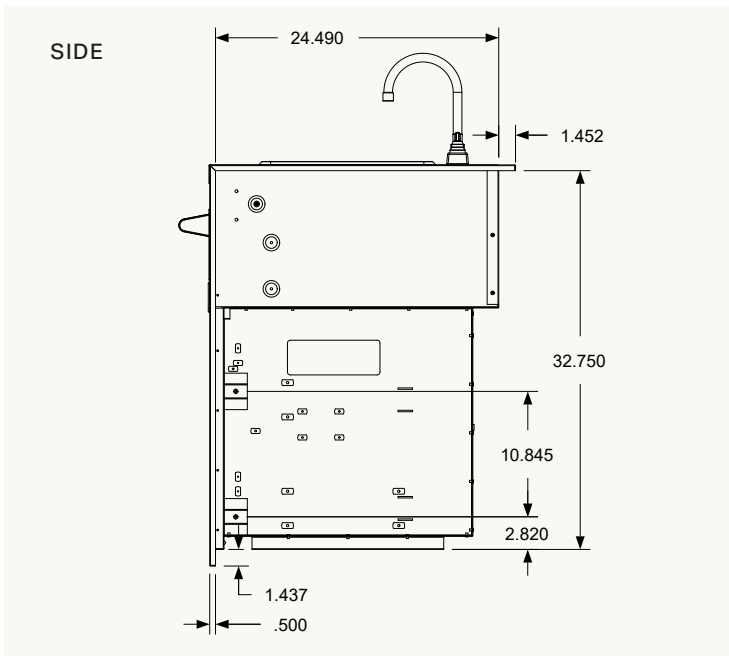
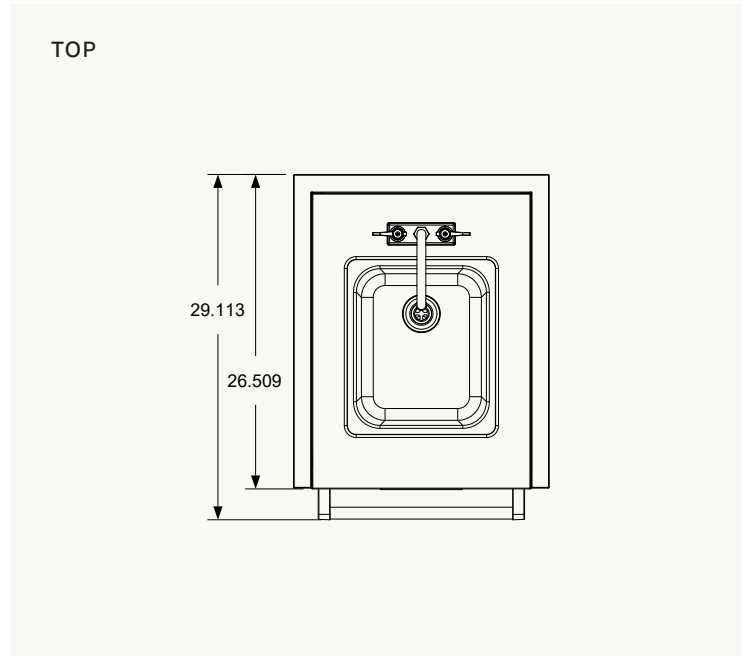
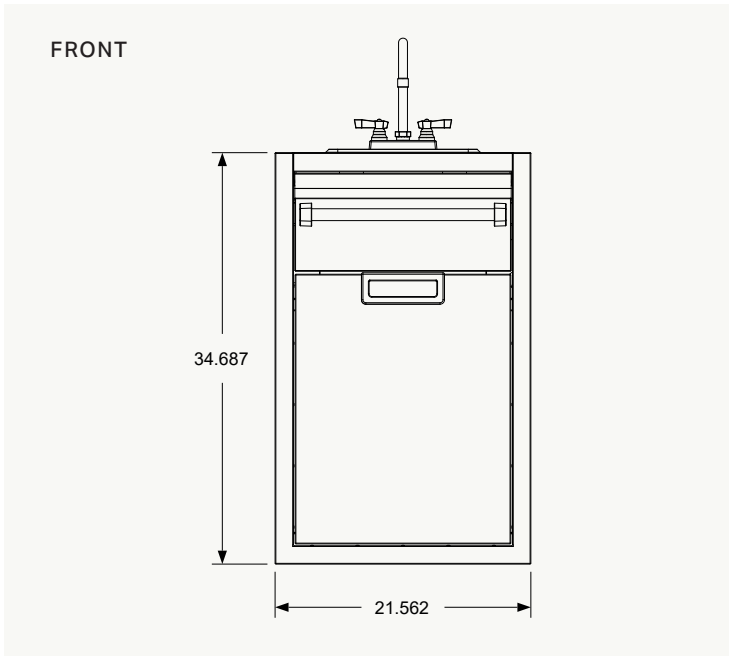
IBISC-SK-GH
Small Built-In Cabinet with Sink & Garbage Holder



IBISC-SK-WH
Small Built-In Cabinet with Sink & Water Heater

*Please see full details on warranty coverage regarding commercial and home applications. See product-specific warranty.

LINE DRAWINGS



For additional resources like CAD drawings, line drawings, and manuals, please visit crownverity.com